

10.4-inch Color LCD
Echo Sounder

CVS-1410 / 1410HS

(((DIGITAL)))

Digital eye

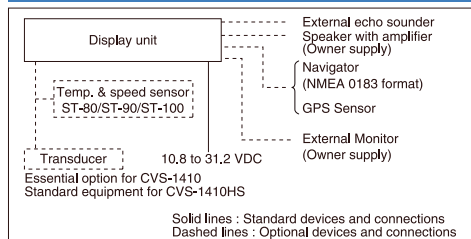


SPECIFICATIONS

Model	CVS-1410	CVS-1410HS
	Standard model	High Sensitivity model
Output power (RMS)	1 kW	
Output frequency	50 kHz and 200 kHz****	50 kHz and 200 kHz
Output method	Single or Alternate	
Display size and type	10.4 inch color TFT LCD	
Display resolution	640 x 480 pixels (VGA)	
Basic range	2.5 to 2000 (m), 10 to 6000 (ft), 2.5 to 1100 (fm / L.fm) (8 ranges can be set to users choice)	
Zoom range	2.5 to 200 (m) 23 steps 10 to 650 (ft) 23 steps 2.5 to 150 (fm / L.fm) 23 steps	
Range unit	m, ft., fm, L.fm	
Shift step	1m, 10m, 1/8, 1/4	
Presentation modes	High frequency, Low frequency, Dual frequency, Zoom image (Bottom lock, Bottom discrimination, Bottom zoom, Zoom, Bottom follow zoom), Nav mode, Vertical split, Horizontal split A-scope can be displayed at all above modes	
Presentation colors	64 colors, 16 colors, 8 colors, Monochrome	
Back ground colors	Marine blue, Blue, Black, White, Nighttime color, Other 5 colors	
Alarms	Bottom, Fish, Temperature*, Speed**, Arrival***, XTE***	
Image speed	9 steps & stop	
Functions	Interference rejection, Color rejection, Depth maker (VFM), Noise rejection, White line, Draft correct, Water temperature correct, Boat speed correct, Store image (10 images), Sona-Tone™, Fishing Hot Spot, Event memory, Simple plotter, Panel illumination, Power reduction, External trigger, Fish information, Detection area display	
Auto functions	Range, Shift, TVG	
Language	Chinese, English, French, Greek, Italian, Japanese, Korean, Spanish, Thai	
Input data format and sentences	NMEA0183 Ver.1.5 / 2.0 / 3.0 GGA, GLL, HDT, MTW, MWV, RMC, VHW, VTG, ZDA	
Output data format and sentences	NMEA0183 Ver.2.0 (DBT : Ver.1.5) DBT, DPT, GGA, GLL, HDT, MTW, MWV, RMC, TLL, VHW, VTG, ZDA	
NMEA input / output ports	1	
Power supply	10.8 to 31.2 VDC	
Power consumption	30W or less (at 24VDC)	
Environmental		
Operating temperature	-15°C to +55°C	
Water protection	IPX5	

* Requires data from Temp sensor
** Requires speed data from Speed sensor or GPS sensor
*** Requires data from GPS sensor
**** Installed single frequency transducer of 50 and 200 kHz can be also used.
For details, please contact your nearest distributor.

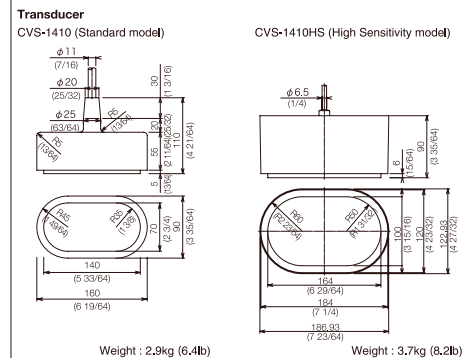
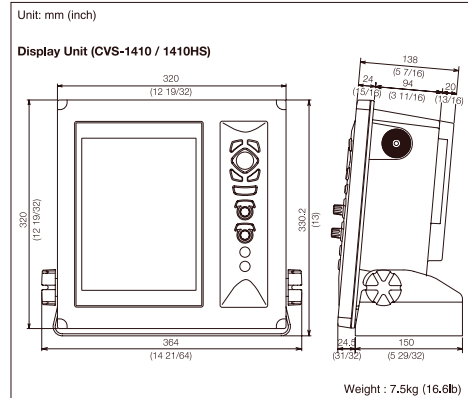
CONNECTIONS



EQUIPMENT LIST

Standard equipment for CVS-1410	Display unit with hard cover, Mounting bracket	1 set
	DC power cable, Spare parts, Operation manual, Quick reference	1 set
Essential option	Transducer	
Options	Temp. & speed sensor, Connection cables for external devices, Inner-hull kit	
Standard equipment for CVS-1410HS	Display unit with hard cover, Mounting bracket	1 set
	DC power cable, Spare parts, Operation manual, Quick reference	1 set
Options	Transducer	
Options	Temp. & speed sensor, Connection cables for external devices, Inner-hull kit	

DIMENSIONS AND WEIGHT



• Design and specifications are subject to change without notice.

KODEN Koden Electronics Co., Ltd.

Tamagawa Office:
2-13-24 Tamagawa, Ota-ku, Tokyo, 146-0095 Japan
Tel: +81-3-3756-6501 Fax: +81-3-3756-6509
Uenohara Office:
5278 Uenohara, Uenohara-shi, Yamanashi, 409-0112 Japan
Tel: +81-554-20-5800 Fax: +81-554-20-5875
overseas@koden-electronics.co.jp
www.koden-electronics.co.jp

Agenzia
ufficiale per
l'Italia :



Telefono 010 870058 r.a.
Telefax 010 870248
e-mail: apelmar@koden.it
<http://www.koden.it>



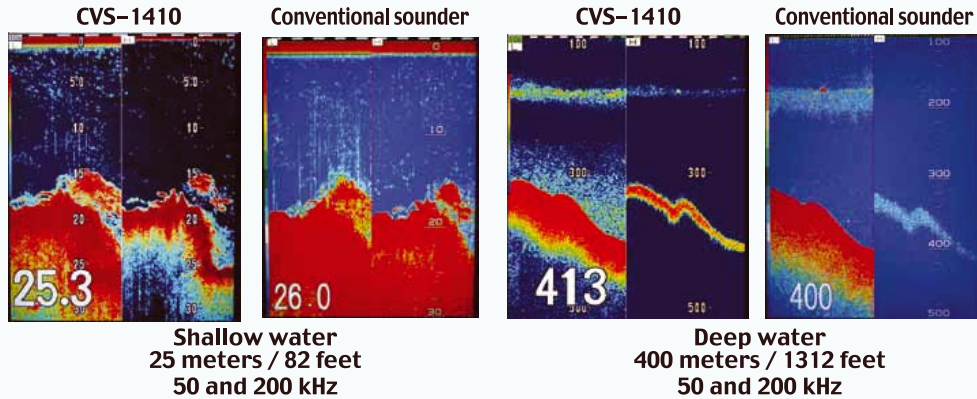
Safety precaution
To ensure proper and safe use of the equipment, please carefully read and follow the instructions in the Operation Manual.

For details, please contact:

Koden Digital Filtering (KDF™) :

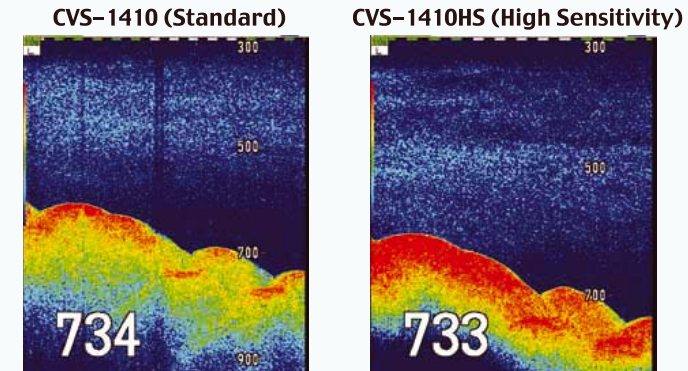
Koden's advanced DSP technology provides a clearer image and deeper sounding at higher frequencies

- ▶ Superior clutter suppression and signal to noise ratio, faster update rate for increased performance in shallow water.
- ▶ Detects fish close to the bottom at depths never before possible with the high frequency transducer.
- ▶ The affordable 1 kW CVS-1410 series equals or beats the performance of the conventional sounders with 3 times the power output.



Standard or High Sensitivity.
Choice is yours.

- ▶ 10.4" Digital Echo Sounder comes in two models: cost effective CVS-1410 as standard model and CVS-1410HS as high sensitivity model.
- ▶ You can choose either CVS-1410 or CVS-1410HS depending on your target fish, fishing method, fishing area and usage.



Transducer



Various functions for improving catch result

Detection area display

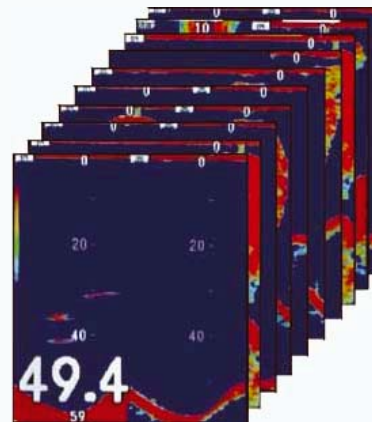
- ▶ Know exactly the bottom area covered by the low and high frequency sound beams. This can help you target the fish directly under the boat or off to the side.



* The beam angle varies depending on the transducer frequency and may vary depending on the installation method of the transducer. The displayed data should be used for reference only.

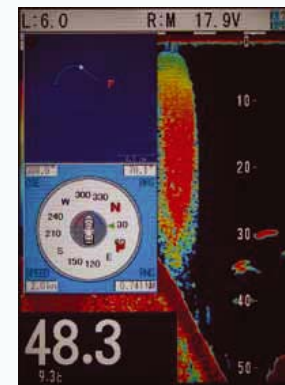
Store Image

- ▶ Stores up to 10 screen images in built-in memory for recall later by "one-touch".

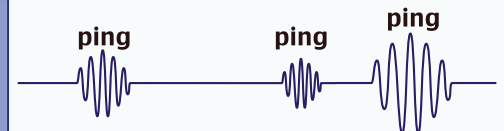


Fishing Hot Spot

- ▶ Follow our easy to understand navigational display back to your favorite fishing spots or other previously saved positions in memory. Optional GPS input required.



Sona-Tone™



- ▶ Exclusive Sona-Tone identifies what's under your boat with different sounds for fish and schools of fish.

Auto Function

- ▶ Takes the guesswork out of operating the sounder. Even a novice user can achieve professional results by letting the CVS-1410 pick the optimum settings for such functions as Range, Shift and TVG.